

FIG. 1
(Prior Art)

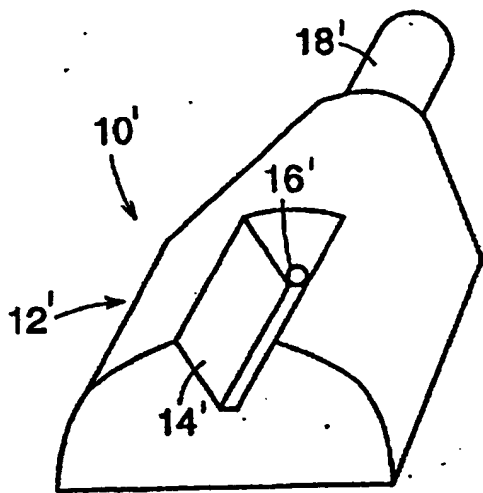


FIG. 2
(Prior Art)

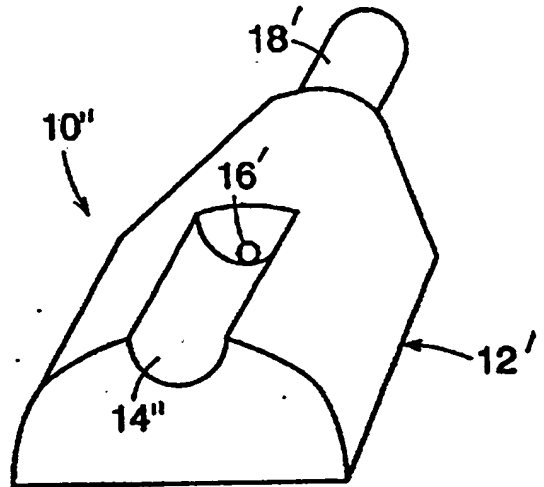


FIG. 3
(Prior Art)

Patent Office of the United States Department of Commerce

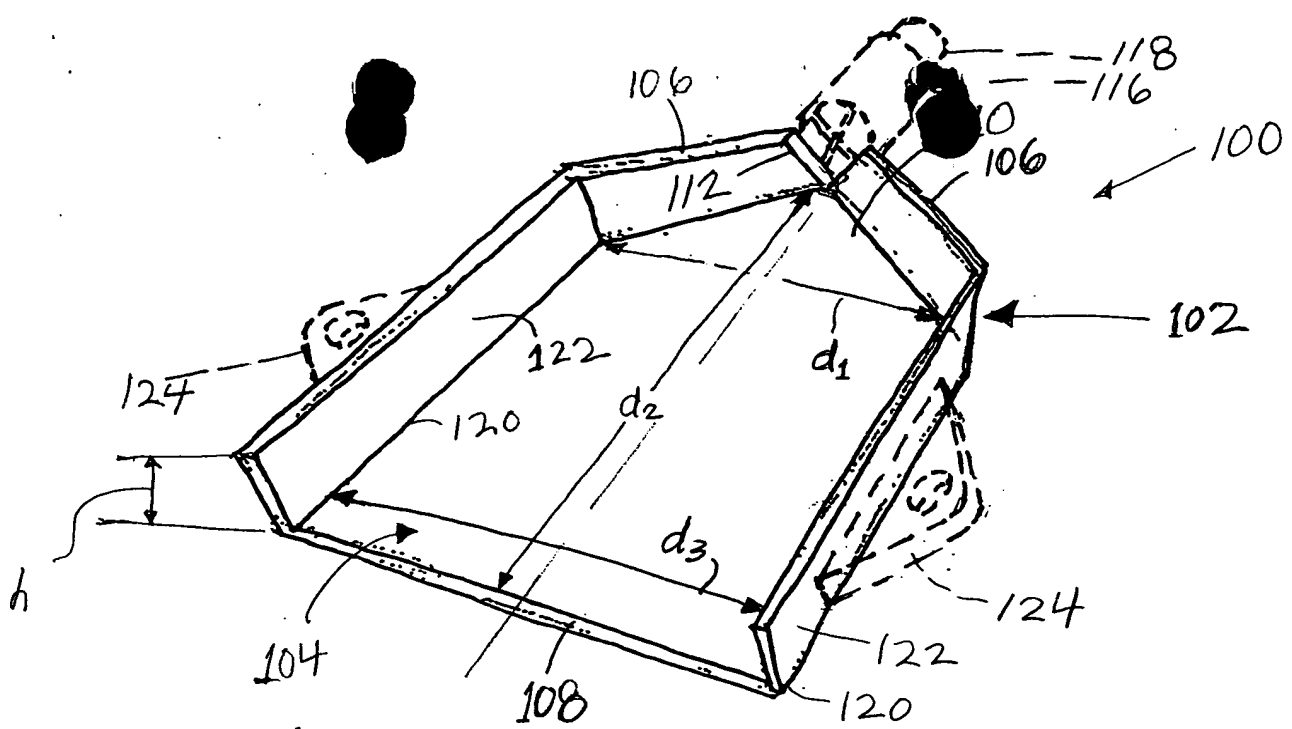


FIG. 4

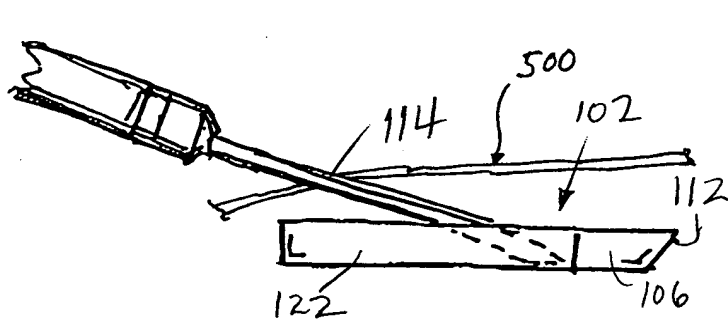


FIG. 5

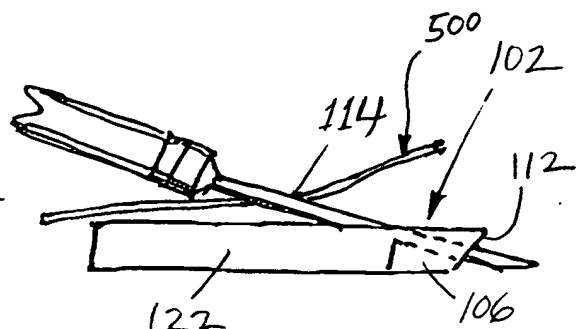


FIG. 6

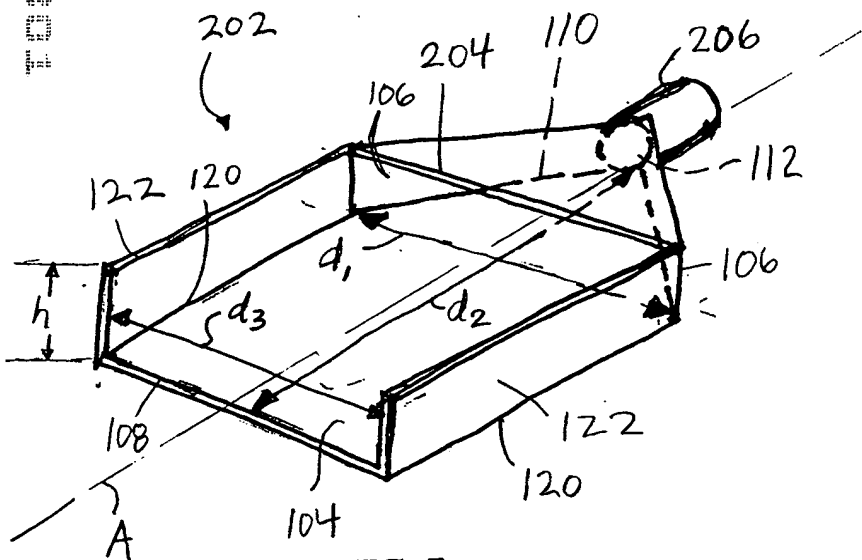


FIG. 7

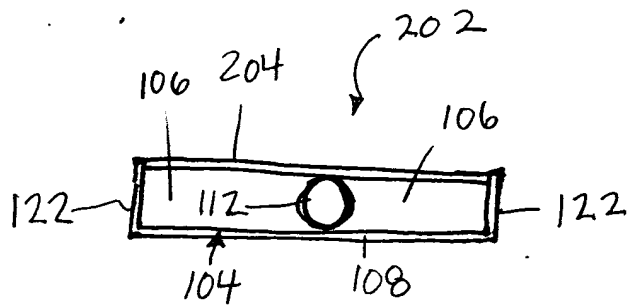


FIG. 8

FOR PUBLICATION

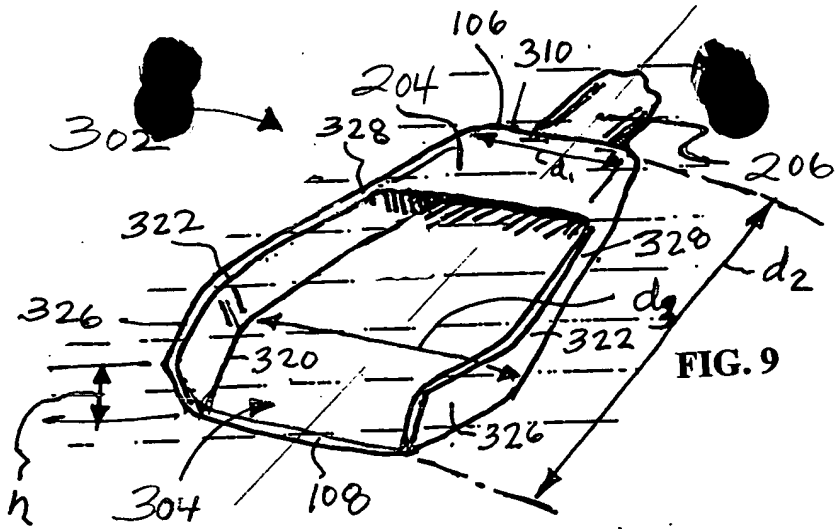


FIG. 9

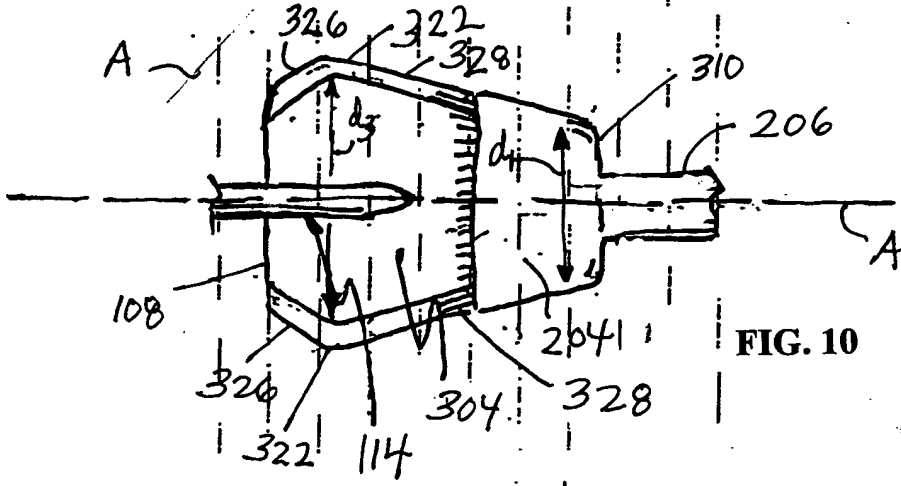


FIG. 10

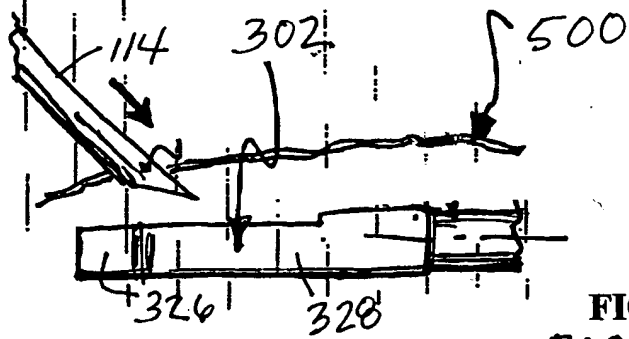


FIG. 11

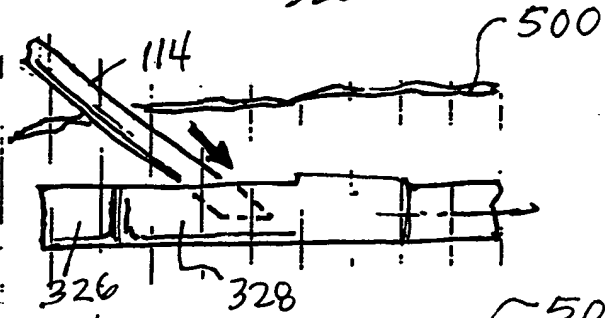


FIG. 12

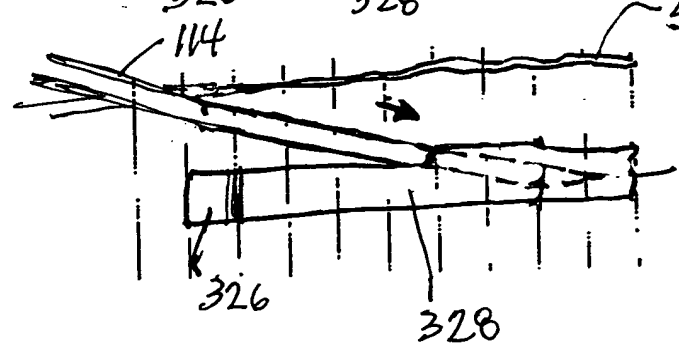


FIG. 13

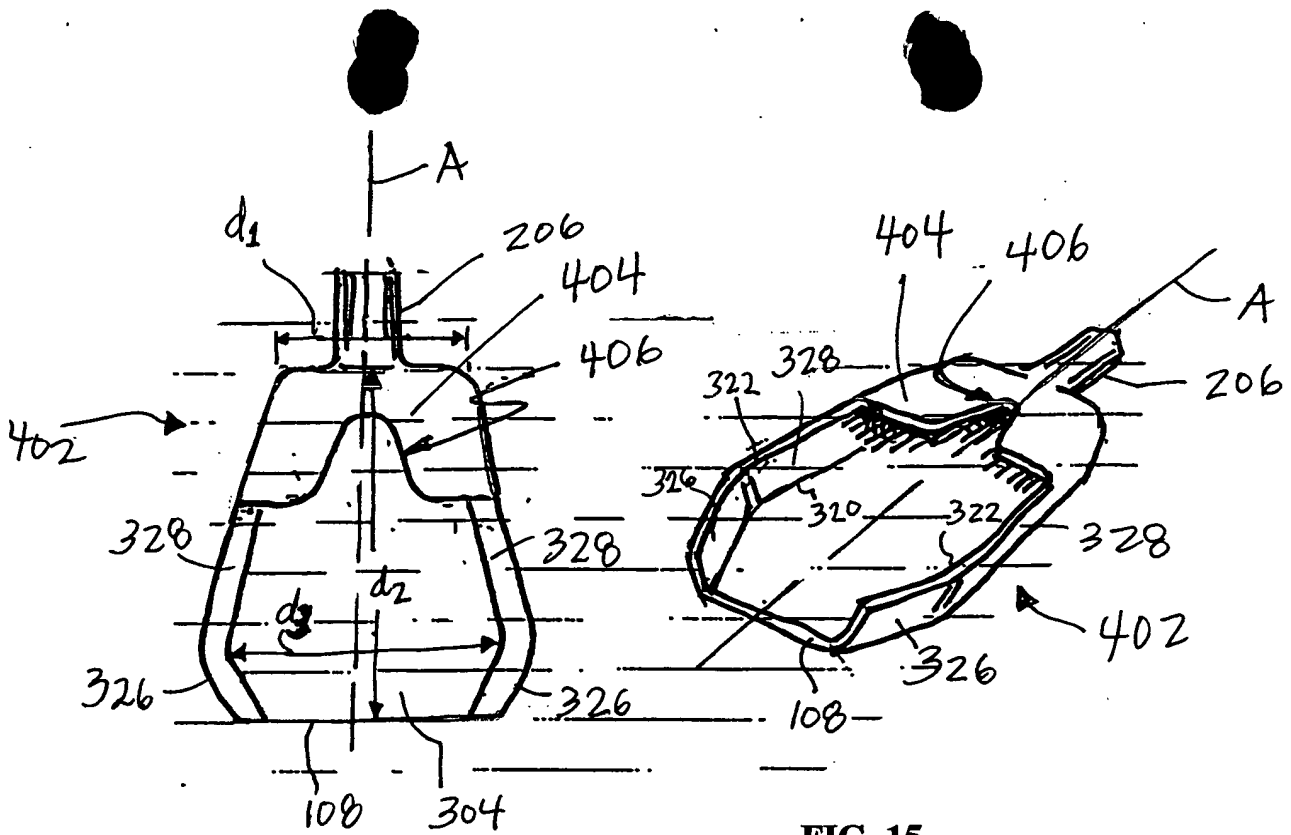


FIG. 14

FIG. 15

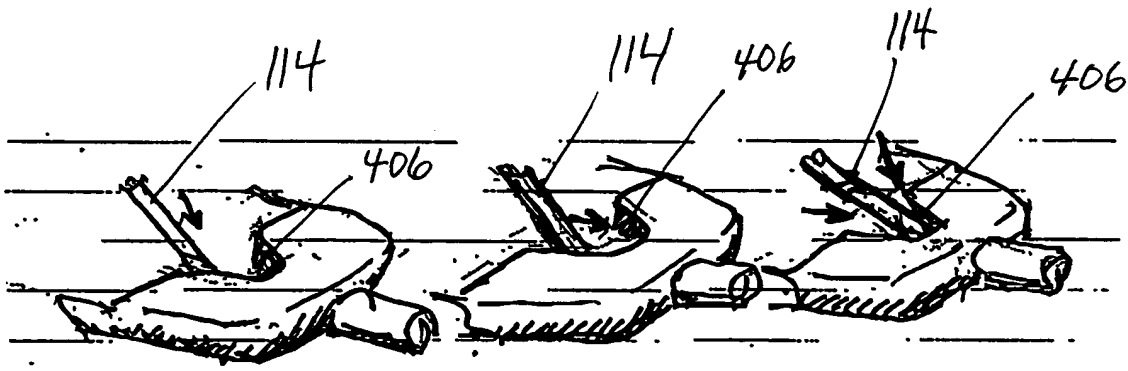


FIG. 16

FIG. 17

FIG. 18